

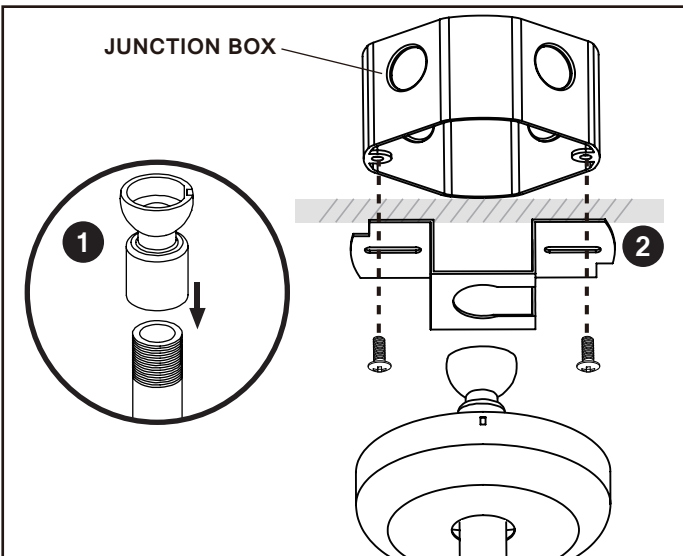
ADVANCED HIGH CEILING Atria 6 Series - Stem



IMPORTANT SAFETY INFORMATION. READ AND FOLLOW ALL SAFETY INSTRUCTIONS

IMPORTANT SAFETY INFORMATION. READ AND FOLLOW ALL SAFETY INSTRUCTIONS. Before wiring to power supply and during servicing or relamping, turn off power at fuse or circuit breaker. All servicing or relamping must be performed by qualified service personnel. Product must be grounded to avoid potential electric shock or other potential hazard. Product must be at locations and at heights and in a manner consistent with its intended use, and in compliance with Electrical Code and local codes.

SAVE THESE INSTRUCTIONS FOR FUTURE REFERENCE.



Step 1

Secure half ball with stem.

Step 2

Attach swivel crossbar to junction box (by others).

Step 3

Loop the safety cable around swivel crossbar.

Step 4

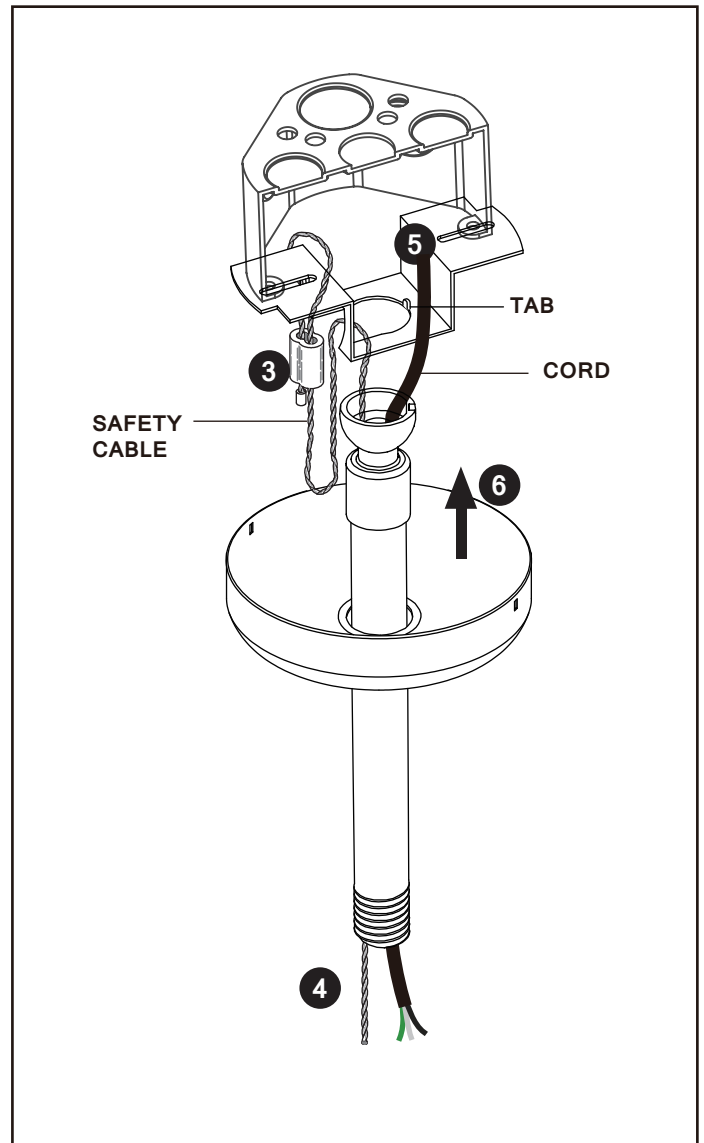
Feed the safety cable and power cord through the stem and insert half ball joint into slot on swivel crossbar. Align the slot on ball joint with the tab on the swivel crossbar.

Step 5

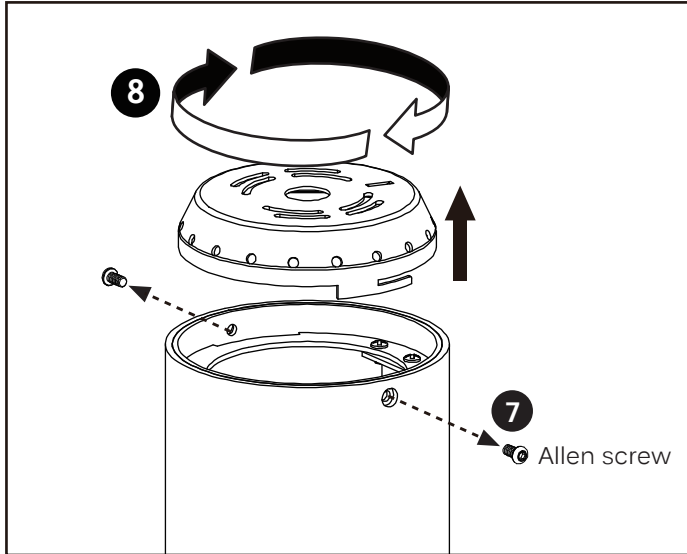
Make electric connection in junction box. (See below)

Step 6

Install canopy cover by aligning the tabs on crossbar with slots in the cover.



ADVANCED HIGH CEILING Atria 6 Series - Stem

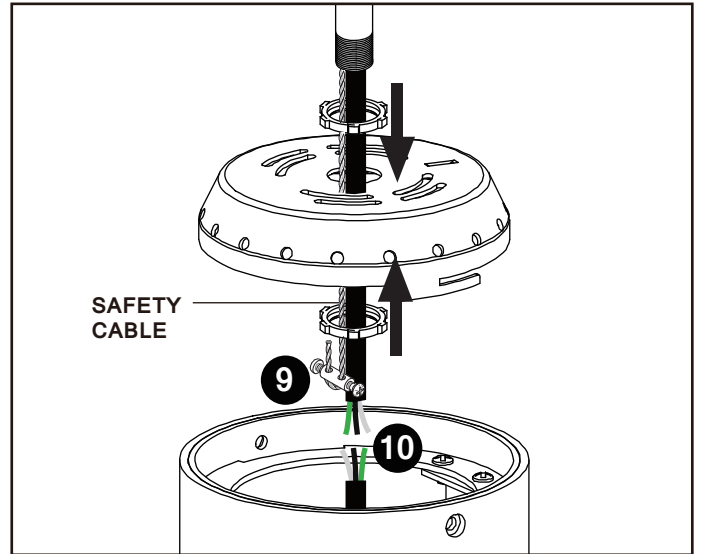


Step 7

Loosen two Allen screws. Twist and remove the lid from fixture.

Step 8

Screw one nut before lid and another after lid. Ensure stem is securely fastened to lid/fixture.

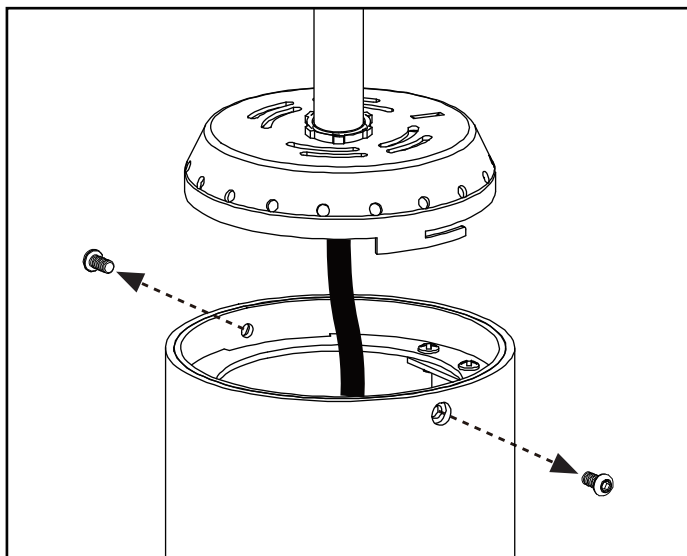


Step 9

Insert the safety cable through safety cable slot on lid and loop the safety cable using locking tube on the other side of stem and tighten the screws.

Step 10

Make electric connection inside the fixture. (See below)



Step 11

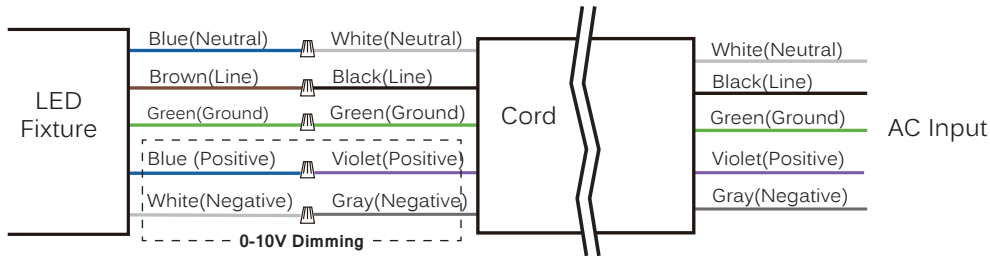
Replace lid and secure two Allen screws.

ADVANCED HIGH CEILING Atria 6 Series - Stem

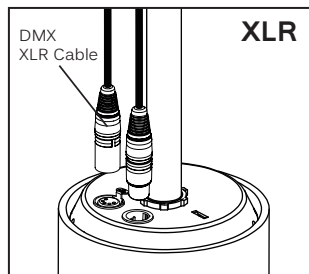
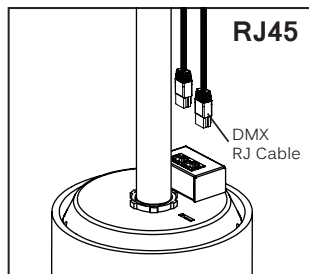
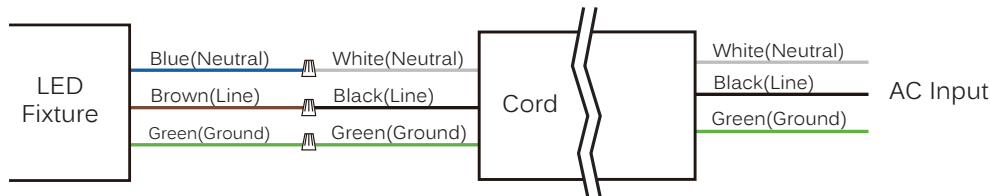


Wiring Diagram

0-10V / Superior 0-10V



DMX



Connect DMX by using a standard shielded CAT5/6 cable.

Connect DMX by using a standard DMX512 XLR cable with 5 pin in/out connector (by others).

***The last fixture has to be terminated with a DMX Terminator (by others).**

TRIAC

